



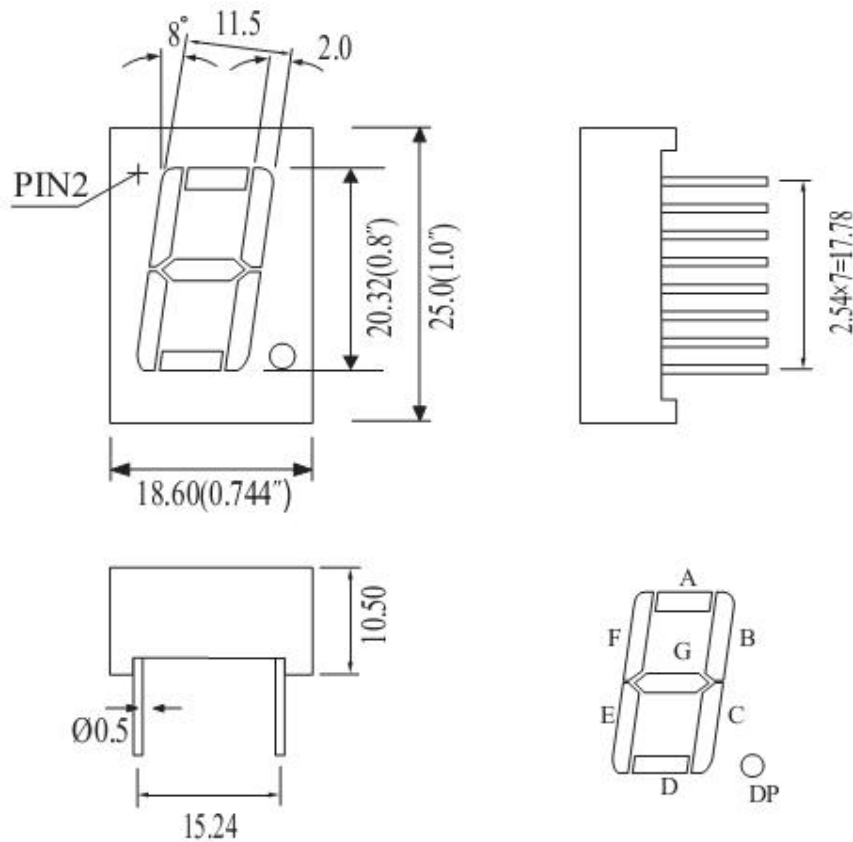
# Wuxi Compul Electronics Co.,Ltd

Mail: [Sales@compul.cn](mailto:Sales@compul.cn) Web: [www.compul.cn](http://www.compul.cn)

Tel: 86 510 87359088 Fax: 86 510 87359268

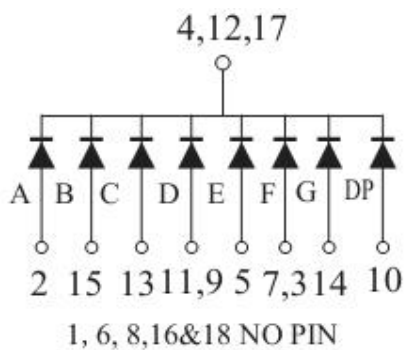
## Package Dimensions

CPS08015GH

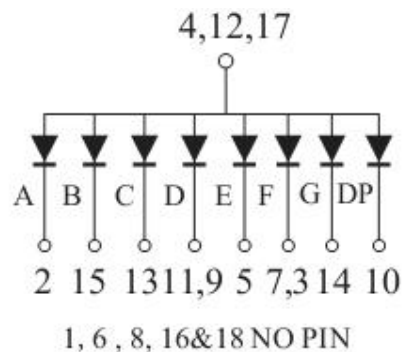


UNIT: MM(INCH) TOLERANCE: ±0.25(0.01")

## Internal Circuit Diagram



08015G



08015H