

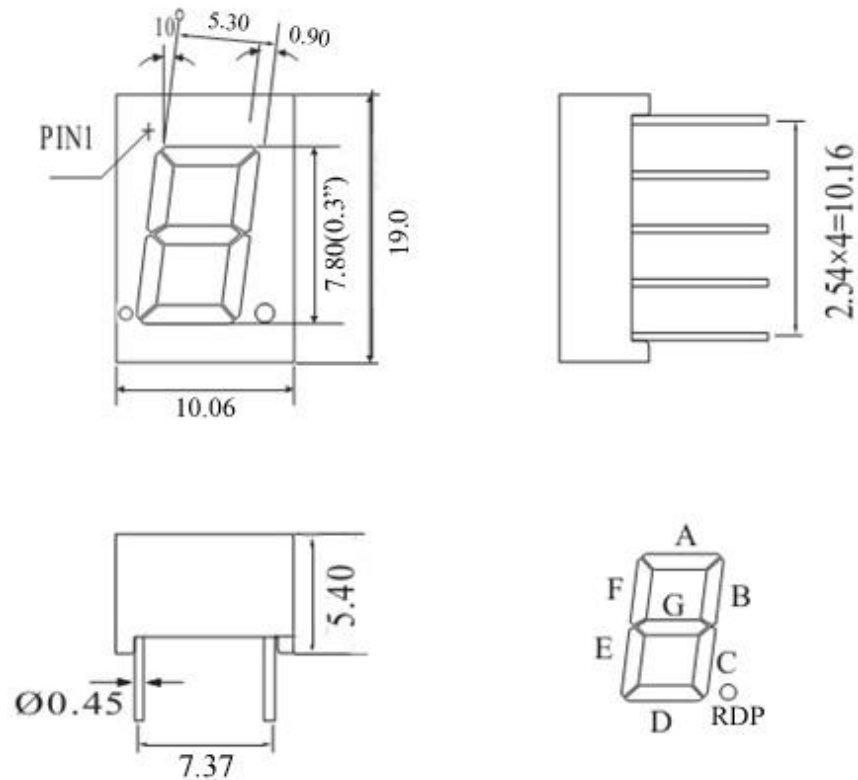
WUXI COMPUL ELECTRONIC CO., LTD

[Http://www.compul.cn](http://www.compul.cn) E-mail:sales@compul.cn

TEL: 86-510-87359088, 82287706 FAX: 86-510-87359268

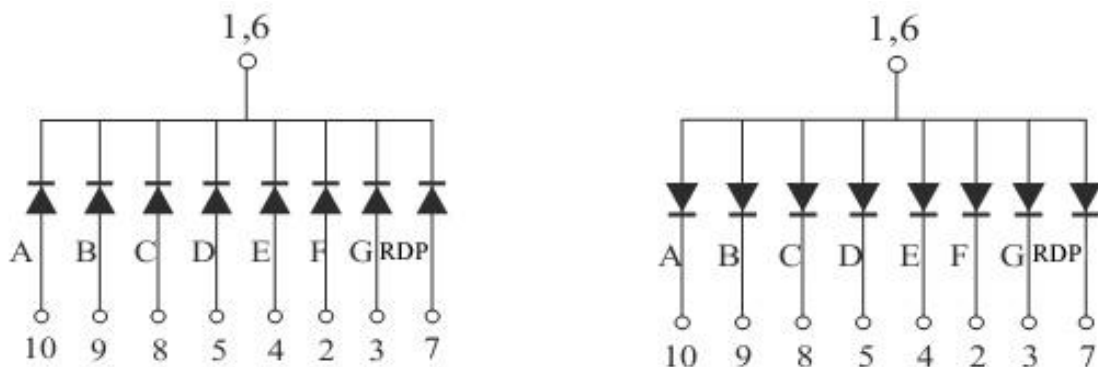
Package Dimensions

CPS03012AB



UNIT: MM(INCH) TOLERANCE: $\pm 0.25(0.01)$

Internal Circuit Diagram



03012A

03012B

Single Digital Displays Series